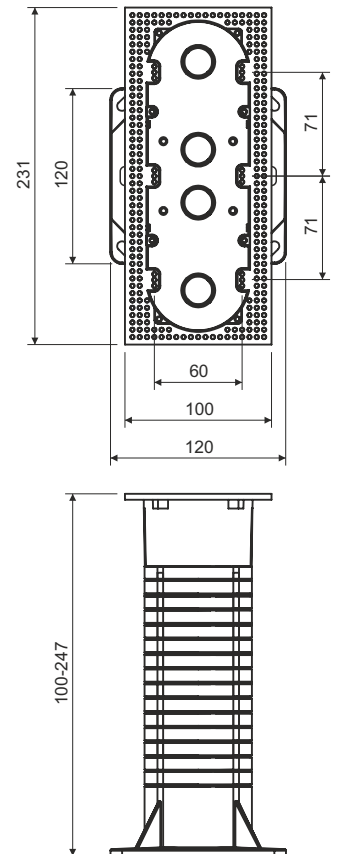


## multiple installation box into thermal insulation

**KEZ-3**

## product description:

designed for distribution system with voltage 400 V  
 for installation of two or three devices in insulated building fasades with a thickness from 100 - 250 mm.  
 eliminates thermal bridging  
 included in the packaging are high quality wall plugs and screws for mounting and partition to separate multiple circuits  
 when installing into rough plaster, we recommend to seal the device with silicon  
 robust construction  
 for installations in combined frames (spacing 71 mm)  
 see assembly video at [www.kopos.com](http://www.kopos.com)

material: PP

color: gray

self-snuffing: yes, within 30 s

temperature resistance: -25 - +60 °C

flaming loop test: 850 °C

fire class for underlying material: A1-F

weight: 410 g

certification: EN 60 670-1

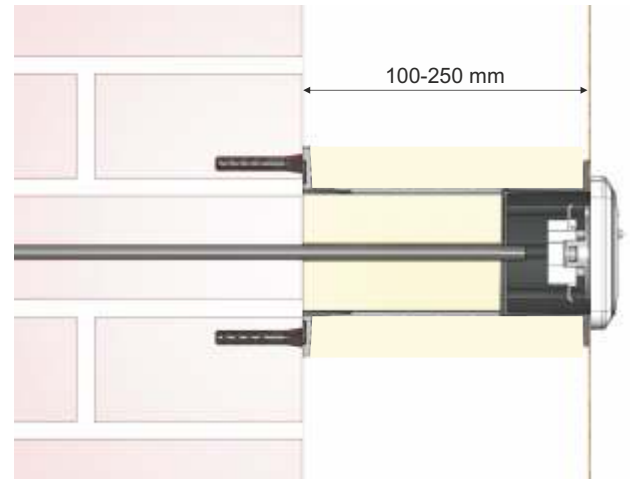
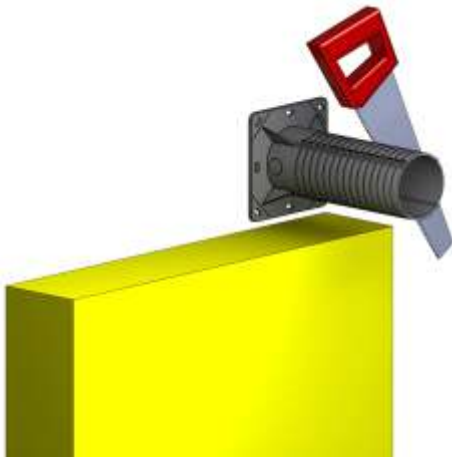
storage: ČSN 64 0090



configuration: KB - individual boxes packed in separate cardboard

## multiple installation box into thermal insulation

## Assembling multiple installation box into thermal insulation KEZ-3



There is necessary to cut the carrier including inserted insulation before installation depending on layer thickness insulation.

The carrier is fixed to the wall with twists and dowels depending on type of the wall surface.

The finally installation of box should be done by 4 added screws.

