



## Plastic angle bracket for vertical installation

**Part no.** SL7/4-FW  
**Catalog No.** 171446  
**Eaton Catalog No.** SL7/4-FW

### Delivery program

Product range			Accessories
Basic function accessories			Mounting brackets
Material			Plastic
Mounting type			for vertical mounting
			Fixing screws for base modules included with supplied equipment
For use with			SL4-PIB-100(250)(400) SL4-FMS... SL7-CB-100(250)(400) SL7-FMS...
Connection to SmartWire-DT			no

### Design verification as per IEC/EN 61439

Technical data for design verification			
Operating ambient temperature min.		°C	-30
Operating ambient temperature max.		°C	60

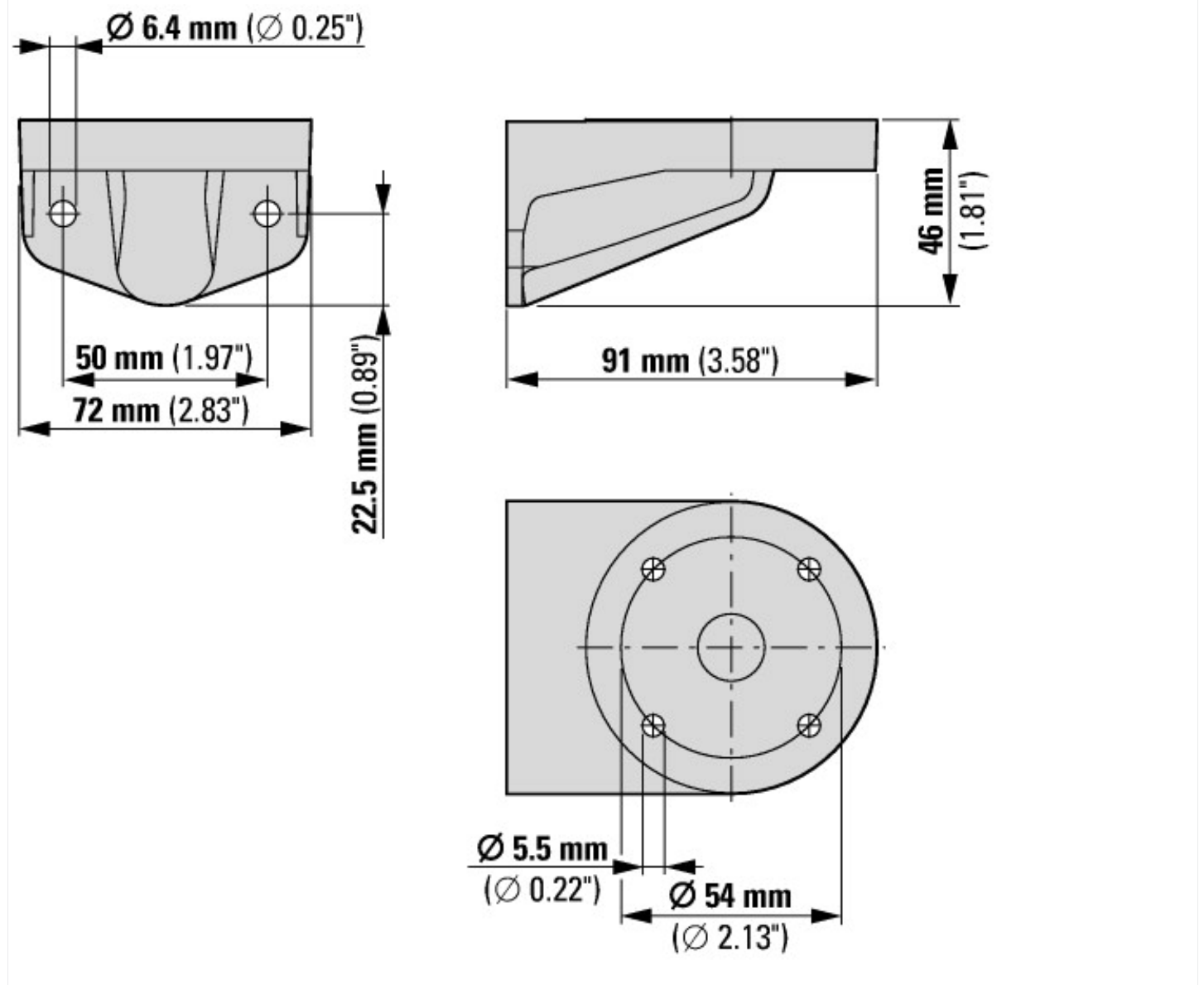
### Technical data ETIM 6.0

Low-voltage industrial components (EG000017) / Wall bracket for signal tower (EC001153)			
Electric engineering, automation, process control engineering / Low-voltage switch technology / Command and alarm device / Signal column element, attaching bracket (ecl@ss8.1-27-37-12-33 [AKF051011])			
Mounting method			Wall mounting
Colour			Black

### Approvals

Product Standards			IEC/EN 60947-5-1; UL 508; CSA-C22.2 No. 14-10; CSA-C22.2 No. 94-91; CE marking
UL File No.			E29184
UL Category Control No.			NKCR
CSA File No.			UL report applies to both US and Canada
CSA Class No.			NKCR7
North America Certification			UL listed, certified by UL for use in Canada
Degree of Protection			UL Type 4, 4X, 13

## Dimensions



## Additional product information (links)

IL047006ZU SL4/7 Accessories

IL047006ZU SL4/7 Accessories

[ftp://ftp.moeller.net/DOCUMENTATION/AWA\\_INSTRUCTIONS/IL047006ZU2013\\_02.pdf](ftp://ftp.moeller.net/DOCUMENTATION/AWA_INSTRUCTIONS/IL047006ZU2013_02.pdf)