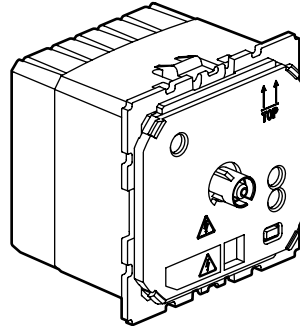


# Céliane™ Electronic room thermostat

Catalogue number: 0 674 00



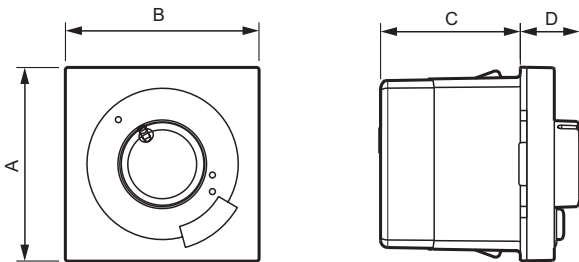
### 1. USE

Regulation control heating equipment or cooling systeme (summer/winter mode).  
 Compatible with all types of heating and cooling can be driven by dry contact.  
 Mechanisms to be equipped with finishes.

### 2. RANGE

Description	Cat. No.
Electronic room thermostat 230 VAC, with sensor.	0 674 00

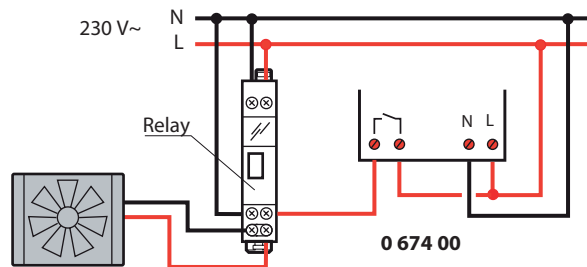
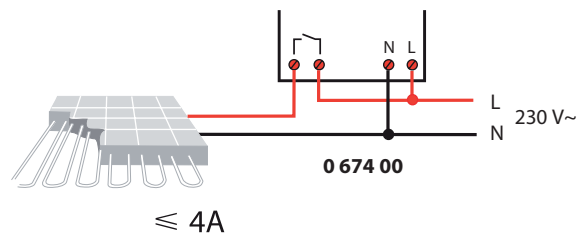
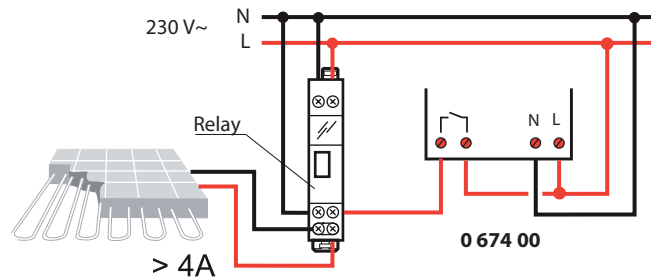
### 3. OVERALL DIMENSIONS (mm)



A	B	C	D
45	45	32.5	14.5

### 4. CONNECTION

Number of terminals: 4  
 Type of terminals: with screws  
 Terminal capacity: 2 x 1.5 mm<sup>2</sup> flexible or rigid  
 Stripping length: 6 mm  
 Tool: flat screwdriver 3.5 mm



Maximum operation distance: 50 m

## 5. FUNCTION

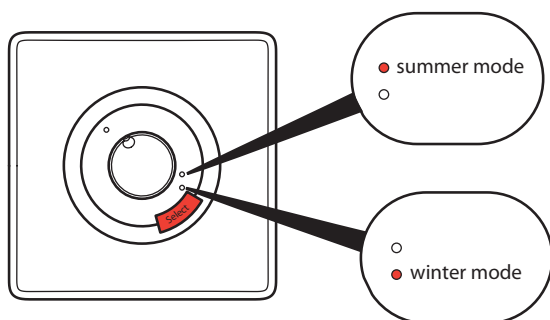
The thermostat is equipped with a temperature sensor and provides a relay (open/closed) depending on the ambient temperature. The regulation is ensured by an algorithm (commutation cycle) thus ensuring a minimal temperature variation relative to the ambient temperature.

Setting range 7-30°C by using the rotary knob.

The "select" button allows selection of summer / winter modes (hold an above 2 seconds press).

In winter mode, the thermostat switching on if the temperature measured is too low (heating).

In summer mode, the contact is closed if the measured temperature is too high (conditioning).



Regulation Accuracy: < 0.5°C for a conventional installation and maximum charge of 4 A.

Relay normally open or closed depending on the selection of "winter mode" or "summer mode" ≥ 4/8 A (with less precision).

## 6. TECHNICAL CHARACTERISTICS

### ■ 6.1 Index of protection

Protection against solid bodies and liquids: IP 21

Impact tests: IK 04

### ■ 6.2 Material characteristics

Polycarbonate

### ■ 6.3 Electrical characteristics

Self extinguishing: 850° C / 30 s

Voltage: 230 VAC

Frequency: 50/60 Hz

### ■ 6.4 Climatic characteristics

Storage temperature: - 10° C to + 70° C

Cooling temperature: - 5° C to + 40° C

## 7. STANDARDS AND APPROVALS

Compliance with standards of installation and manufacturing.

Refer to e. catalogue.