



GE
Lighting



43
kWh/1000h

A
energy class

90
lumens/watt

T8 Polylux XLR™ - G13 Cap
FT8/36W/860/GE/SL1/25

62552

Product information

Polylux XLR™ lamps should be the natural choice for all fluorescent lighting applications. The excellent colour reproduction flatters skin tones making people appear more natural, and makes merchandise appear more vibrant and colourful.

Application areas



Retail



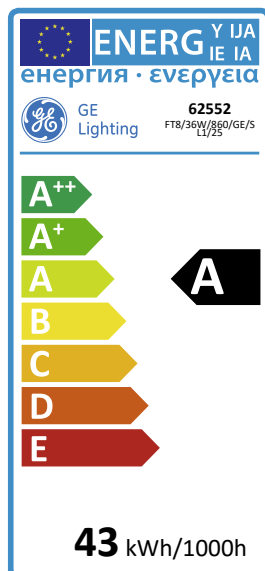
Office



Education



Industrial



Product data

Product Code	62552
Bulb Shape	Tubular
Bulb Diameter [mm]	26
Bulb maximum overall diameter [mm]	26
Cap to Cap Length (Max) [mm]	1199.4
Net weight per piece [g]	185
Gross weight per piece [g]	214
Mercury Content [mg]	2.9
UV radiance	Exempt
Brand	General Electric (GE)
Cap/Base	G13

Performance data

Colour Code	860
Lumen at 25°C [lm]	3250
Weighted energy consumption [kWh/1000h]	42.59
Rated efficacy [lm/W]	90
Energy efficiency class (EEC)	A
Rated Life [h]	15000
Rated median life on electromagnetic (EM / CCG) ballast 18000 on IEC 12-hour cycle	
Rated median life on electronic (HF / ECG) ballast on IEC 23000 12-hour cycle	
Rated median life on electronic (HF / ECG) ballast on IEC 20000 3-hour cycle	
Nominal correlated colour temperature (CCT) [K]	6400
Nominal lumens [lm]	3250
Colour Rendering Index (CRI) [Ra]	82

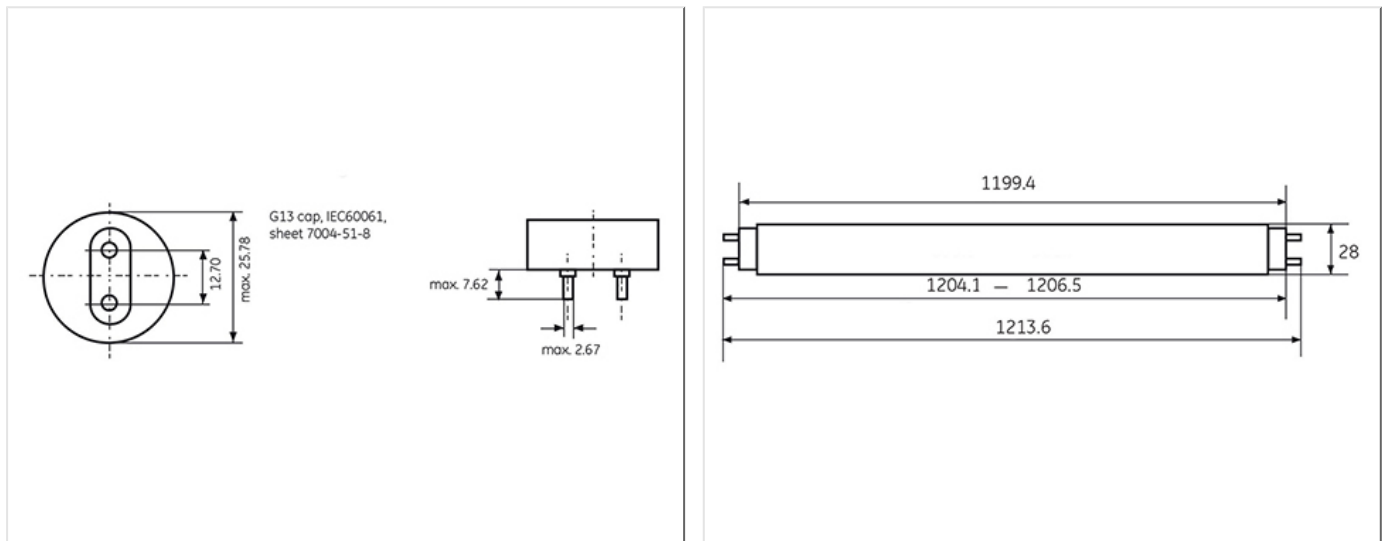
Electrical data

Design Ambient Temperature [°C]	25
Design Lamp ambient temperature [°C]	25
Starting ambient temperature range	-15
Dimming Capability	Yes
Nominal power [W]	36

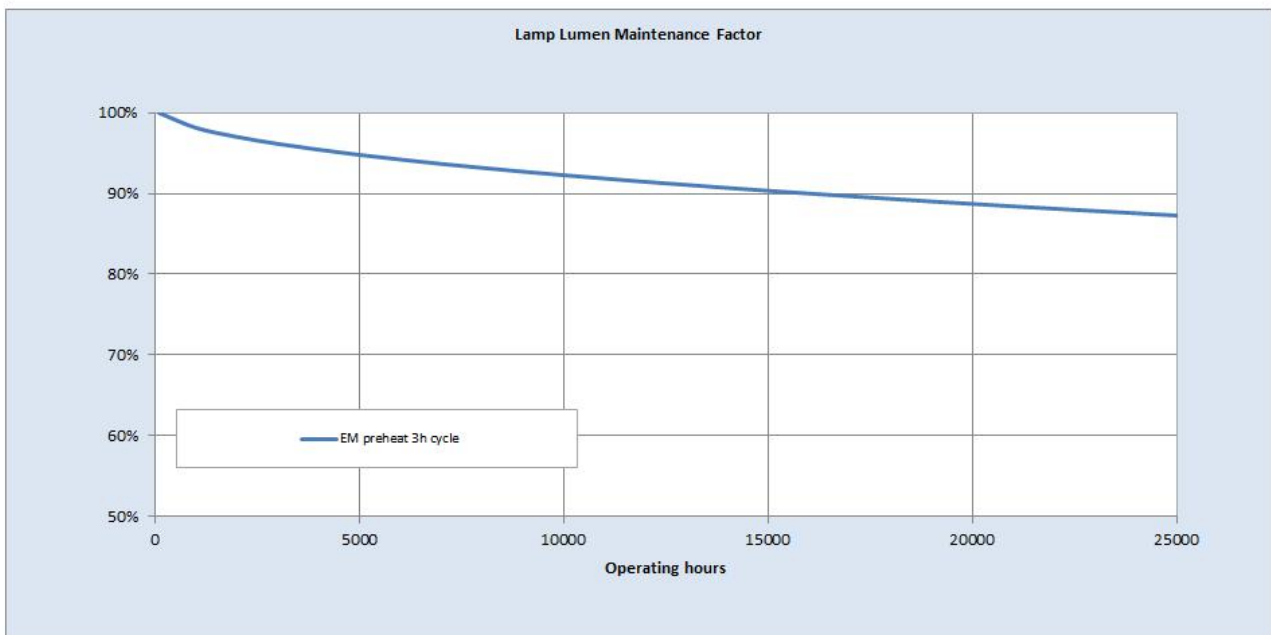
Logistic data

DUN Code	10043168625521
EAN Code	0043168129428
Pack Quantity	25
Inner pack type	SLEEVE
Outer pack type	OUTER BOX
Layer quantity	125 EUR, 150 UK
Layer quantity EUR	125
Layer quantity UK	150
Pallet quantity EUR (PC)	750
Pallet quantity UK (PC)	900
Outer case size	1230 x 150 x 145 (mm)
Product status	Available

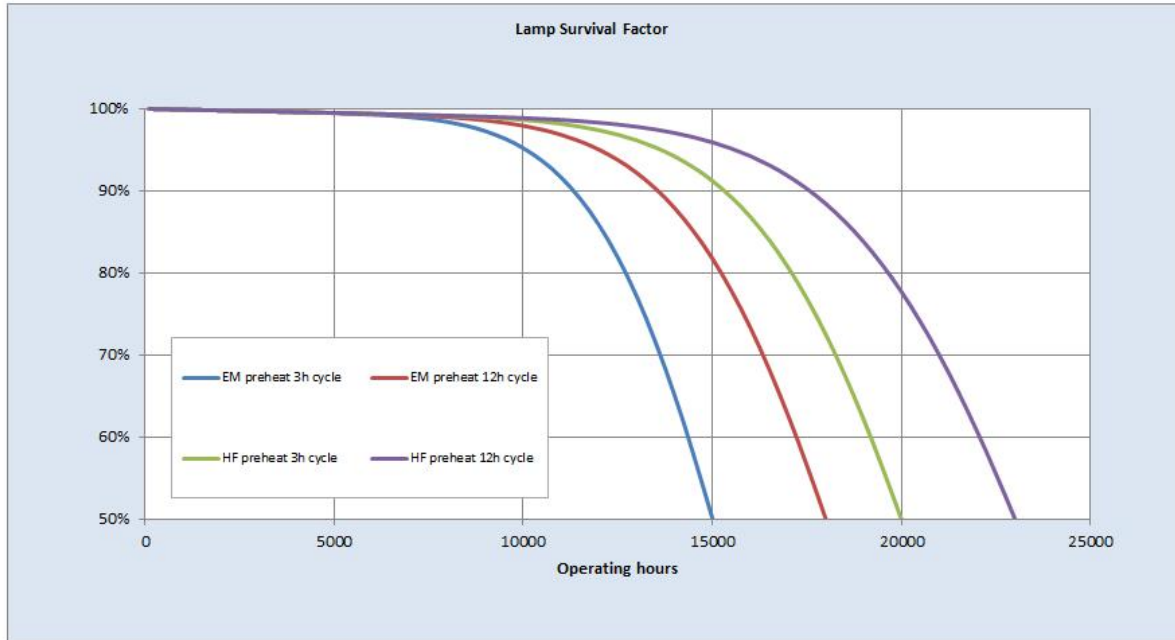
Technical drawing



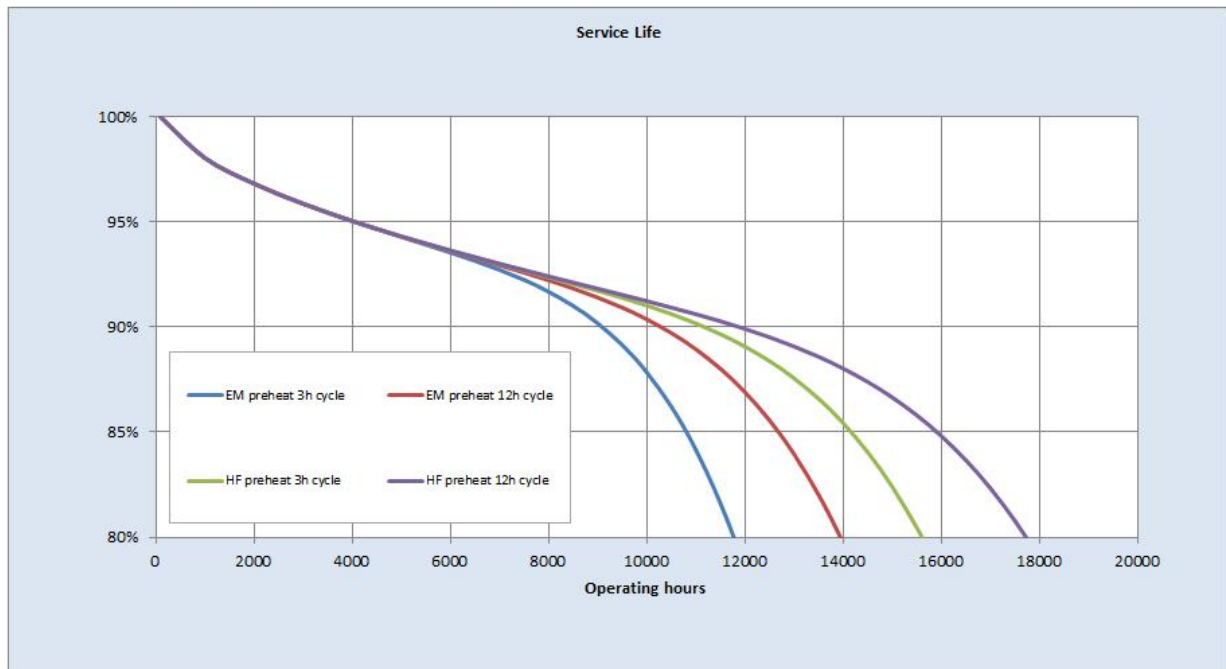
Lumen maintenance data



Survival data



Service life data



Downloads & Links

[Go to the catalog site \(HTTP\)](#)

[Linear Fluorescent Lamps Catalogue \(PDF\)](#)

[Lighting design tools & calculators \(HTTP\)](#)

[High-res images / Technical drawings \(HTTP\)](#)

[Certificate for the Quality Management System of GE Lighting EMEA \(PDF\)](#)

[Certificate for the Environmental Management System of GE Lighting EMEA \(PDF\)](#)

Disclaimer

Lumen maintenance may vary for lamps with colour temperature $\geq 5000\text{K}$