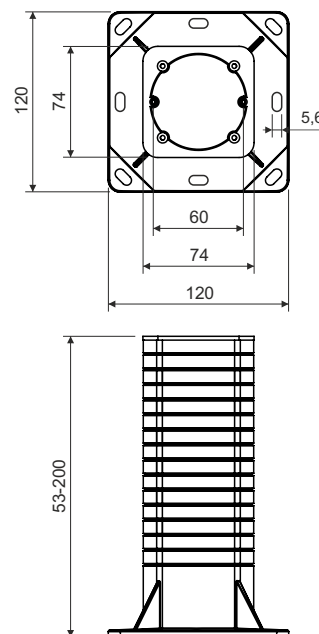


KEZ



product description:

designed for distribution system with voltage 400 V
 for device installation in insulated building facades with a thickness from 50 - 200 mm.
 eliminates thermal bridging.
 included in the packaging are high quality wall plugs and screws for mounting
 when installing into rough plaster, we recommend to seal the device with silicon
 robust construction
 suitable for mounting double-socket
 see assembly video at www.kopos.com

material: PP

color: gray

self-snuffing: yes, within 30 s

temperature resistance: -25 - +60 °C

flaming loop test: 850 °C

fire class for underlying material: A1-F

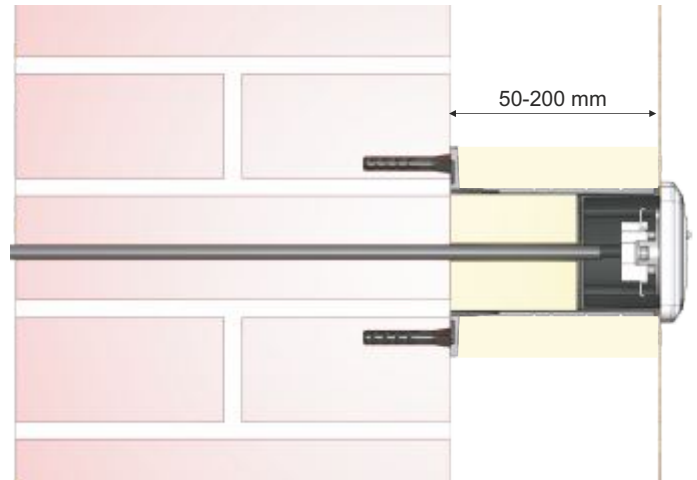
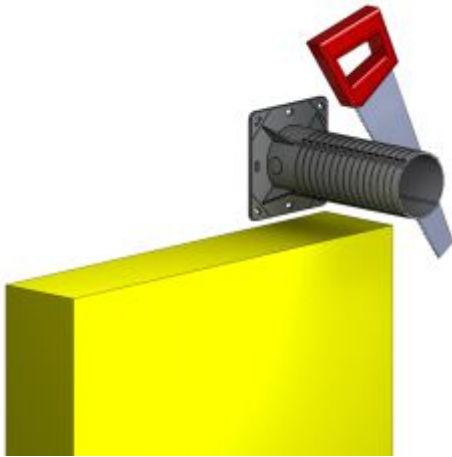
weight: 280 g

certification: EN 60 670-1

storage: ČSN 64 0090

configuration: KB - individual boxes packed in separate cardboard



Assembling installation box into thermal insulation KEZ

There is necessary to cut the carrier including inserted insulation before installation depending on layer thickness insulation.

The carrier is fixed to the wall with twists and dowels depending on type of the wall surface.

The finally installation of box should be done by 4 added screws.

